

PNEUMATIC RESET MODULE

Series GM

Cat No GM - 01 - 01 - A

PNEUMATIC RESET MODULE

Features

- Output signal of adjustable length 0.2 to 2 seconds
- Panel mounted
- Provision for DIN rail mounting
- Compact design
- Stationary preset value



Function

The reset module is used to automatically reset timers at the end of preset time and to generate an output signal of defined duration for control system purposes. The timer can be reset manually by pulling the setting knob on the reset module. This allows the simple creation of pneumatic timer controls with automatically repeating time intervals.

Technical Specifications

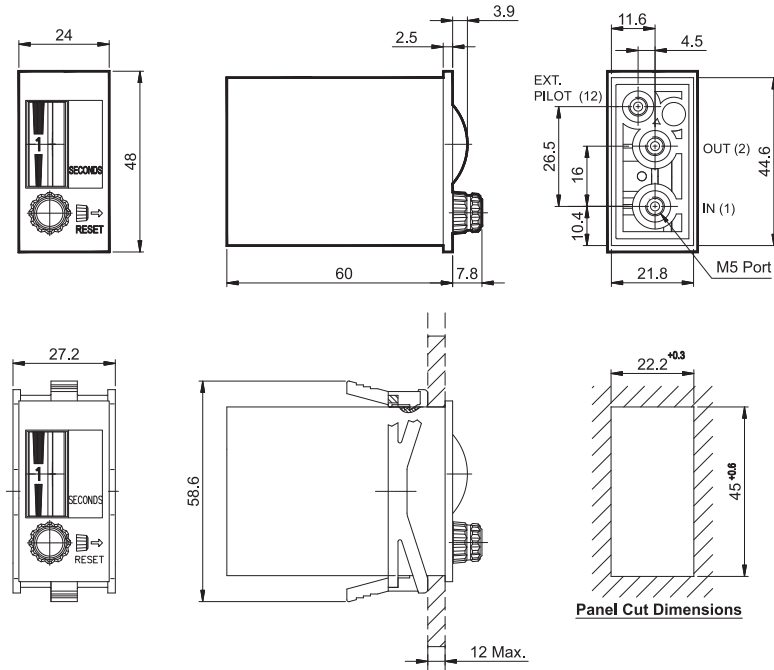
Ordering No	GM10170
Service pressure	2 - 6 bar
Bursting pressure	10 bar
Nominal pressure	4 bar
Air quality	Filtered (40 µm), non-oiled compressed air. Light oil mist permissible
Response pressure	1.2 ± 0.4 bar
Drop pressure	0.3 ± 0.2 bar
Pulse length	Min. 30 ms
Pause for reset	Min. 200 ms
Switching delay time (t_R)	Adjustable from 0.2 - 2 sec
Signal interruption time (t_{SI})	Min. 300 ms
Repeating accuracy	± 0.3 s
Storage temperature	-10° to +60° C
Protection class (DIN 40050)	IP 40
Port size	M5
Tightening torque for connections	Max. 250 Nm
Weight	Approx. 50 g

PNEUMATIC RESET MODULE

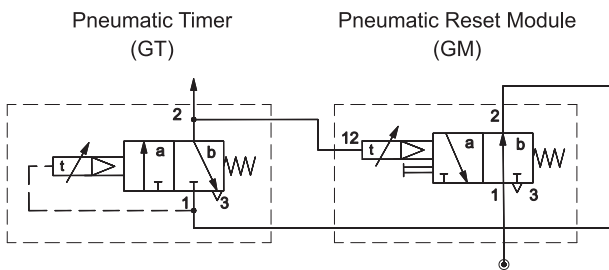
Series GM

Cat No GM - 01 - 01 - A

Basic Dimensions

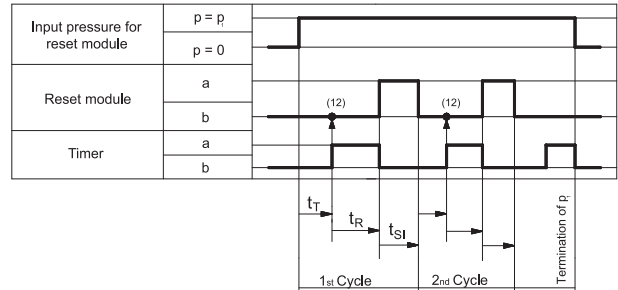


Connection Diagram



- 1 - Supply port
- 2 - Working or outlet port
- 3 - Exhaust
- 12 - Pilot signal

Example of Application



t_T =	Time preset range for timers	t_{SI} =	Signal Interruption period for reset module (= 300ms)
t_R =	Switching delay time for reset module (0.2... 2s)		

How to order

GM	1	01	70
Pressure Range		Time Range	
1	2 to 6 bar	01	0.2 to 2s
Port Size			
70	M5		

Ordering example:

Ordering no. for Pneumatic Reset Module : **GM10170**